

Quick Connecting Tube Fittings

IPE SERIES



Product features

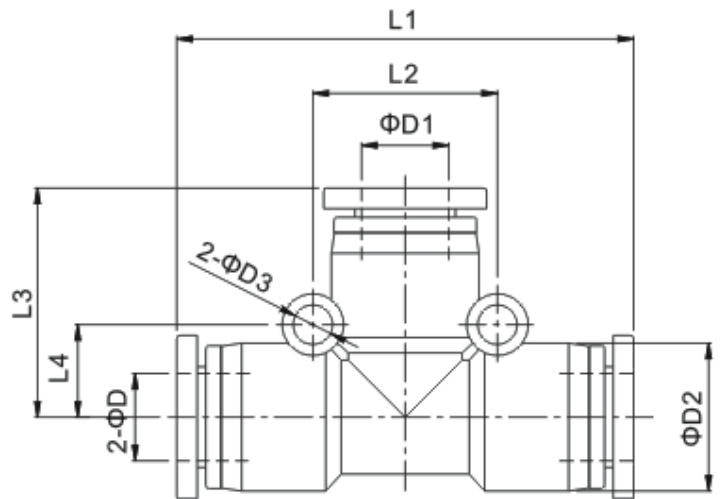
- One-Touch tube fittings are used in pneumatics piping.
- The tube fittings come in wide variety of models to meet all your needs in pneumatics piping.
- Even after installation, in direction of the tube can be changed freely.
- Nickel-plated metal body ensures Anti-Corrosion and Anti-Contamination.
- All R and NPT threads are Pre-Costed sealant.
- All cylindrical threads are standard with O-Ring seals.

Speciality

Fluid	Air, Vacuum
Operating Pressure	0-1.0MPa (150 psi)
Negative Pressure	-100KPa(-29.5 in-Hg)
Max Pressure	1.5MPa
Operating Temperature	0-60°C(32-140°F)
Applicable Tube	Polyurethane and Nylon

Dimension

MODEL	φD	φD1	φD2	φD3	L1	L2	L3	L4
IPE04	4	4	11.5	3.2	38	14	19	7
IPE06	6	6	13.5	3.2	39	16	19.2	8
IPE08	8	8	15	3.2	45	19	22.5	9.5
IPE10	10	10	19	4.2	57	24	27.5	12
IPE12	12	12	21.5	4.3	59	26	29.5	13
IPE14	14	14	23.5		59		29.5	
IPE15	15	15	26.5		64		32	
IPE16	16	16	26.5		64		32	
IPE06-04-06	6	4	13.5	3.2	39	16	19.2	8
IPE08-04-08	8	4	15	3.2	45	19	22.5	9.5
IPE08-06-08	8	6	15	3.2	45	19	22.5	9.5
IPE10-06-10	10	6	19	4.2	57	24	26.3	12
IPE10-08-10	10	8	19	4.2	57	24	26.8	12
IPE12-08-12	12	8	21.5	4.3	59	26		13
IPE12-10-12	12	10	21.5	4.3	59	26	29.5	13
IPE14-12-14	14	12	23.5		59		29.5	
IPE16-12-14	16	12	26.5		64		32	
IPE16-14-16	16	14	26.5		64		32	



MODEL	φD	φD1	φD2	φD3	L1	L2	L3	L4
IPE5/32	5/32	5/32	11.5	3.2	38	14	19	7
IPE3/16	3/16	3/16	11.5	3.2	38	14	19	7
IPE1/4	1/4	1/4	13.5	3.2	39	16	19.2	8
IPE5/16	5/16	5/16	15	3.2	45	19	22.5	9.5
IPE3/8	3/8	3/8	19	4.2	57	24	27.8	12
IPE1/2	1/2	1/2	21.5	4.3	59	26	29.5	13
IPE3/16-5/32-3/16	3/16	5/32	11.5	3.2	38	14	19	7
IPE1/4-3/16-1/4	1/4	3/16	13.5	3.2	39	16	19.2	8
IPE5/16-1/4-5/16	5/16	1/4	15	3.2	45	19	22.5	9.5
IPE3/8-5/16-3/8	3/8	5/16	19	4.2	57	24	26.8	12
IPE1/2-3/8-1/2	1/2	3/8	21.5	4.3	59	26	29.5	13